



VENTOSOL-LUNERO VD5200

Vertical awning with zip system

VD5200



	min. 75 cm *max. 500 cm		min. 50 cm *max. 500 cm
--	----------------------------	--	----------------------------



with gearbox: max. cover area 8 m²
max. width / height 400 cm

Description

Extruded box profile 120.5 mm high and 126 mm wide, slightly rounded. The side caps are made of aluminium cast alloy. Roller tube 78 mm or 85 mm galvanized steel profile.
Manual gearbox (reduction ratio 4:1) with end stop or with total area > 8 m² or at a height > 4000 mm through a 230 V/50 Hz AC tubular motor with friction brake and electronic end position switch-off. Opposed bearing made of aluminium cast alloy matching the side cap.
The aluminium extruded front rail (24 x 40 mm) is fitted with continuous flat steel as additional weight. All aluminium profiles and aluminium cast parts are powder-coated. The plastic band brush is the bottom of the awning. Lightproof awning cover (Soltis B92-N) from the STOBAG-Collection.

VD5200/1 Wall fixing

Wall fixing by using plastic clip system in connection with hanno band for total darkening or aluminium fixing brackets.

The side-assembled U-shaped guide rails (aluminium extruded profiles 41 x 34 mm) have an integrated groove for accepting clips or fixing brackets and are fitted with the plastic SIR-System™ (Soft Integrated Retaining System).

VD5100/2 Soffit fixing

Fixed in the soffit via guide rails according assembling instruction from STOBAG.

The side-assembled U-shaped guide rails (aluminium extruded profiles 33 x 34 mm) are exclusively designed for soffit installation. Two plastic profile guides are positioned on each rail for ease of movement and securing of the SIR-Systems™ (Soft Integrated Retaining System).

METHOD OF DELIVERY

Awnings fully assembled. With cover, guide rails with projection arms and front tube separately.



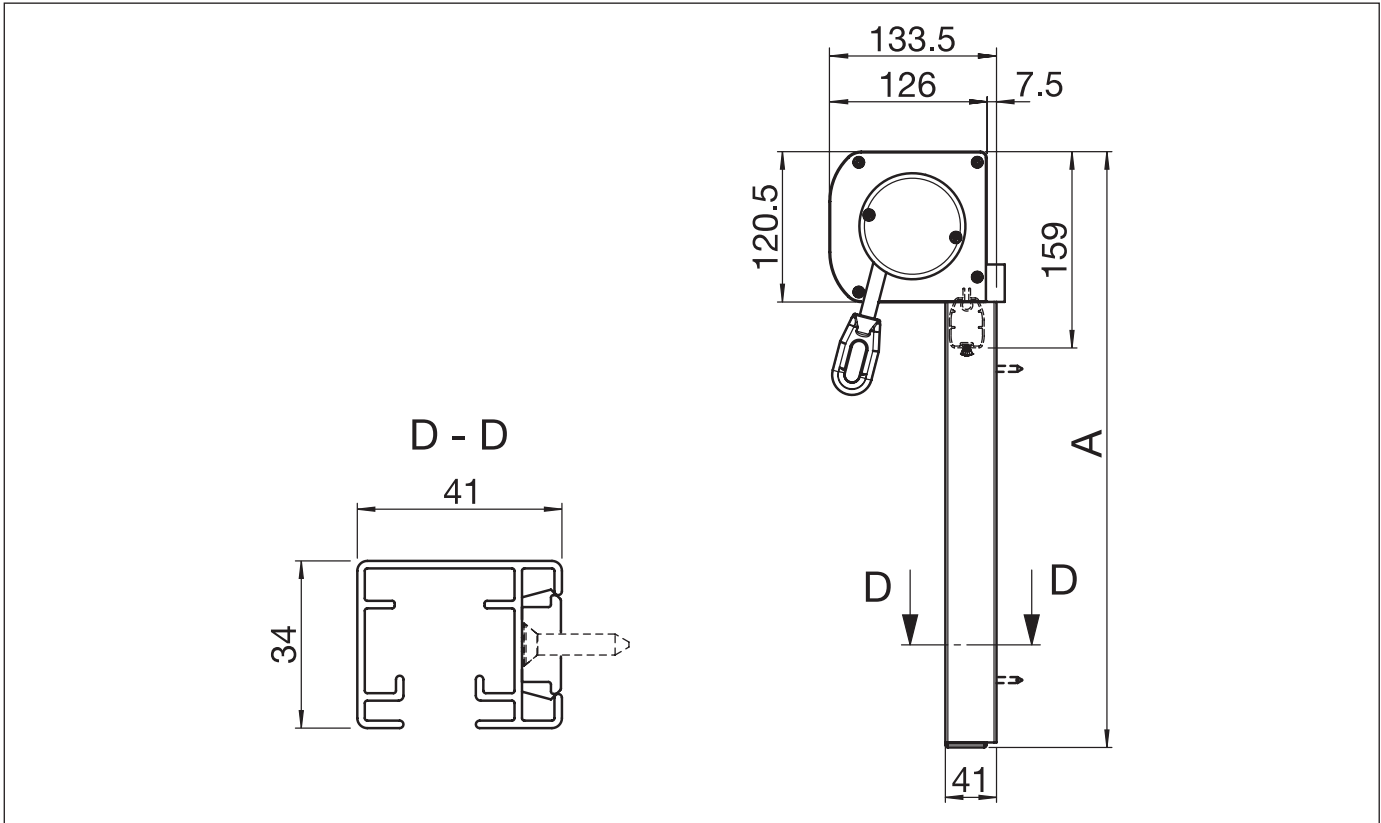


VENTOSOL-LUNERO VD5200

Vertical awning with zip system

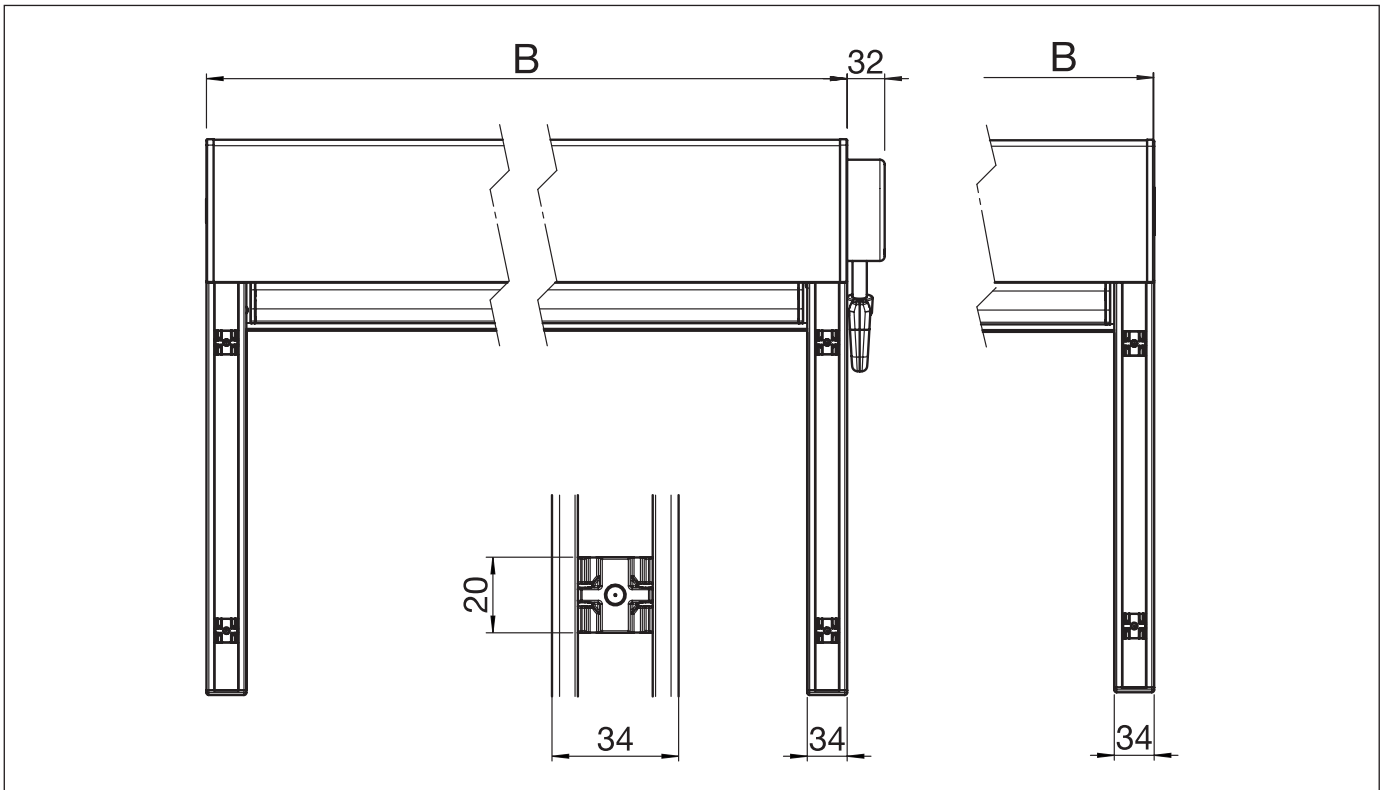
VD5200/1

Wall fixing with clip system



VD5200/1

Installation drawing with clip system



A = Total height

B = Total width

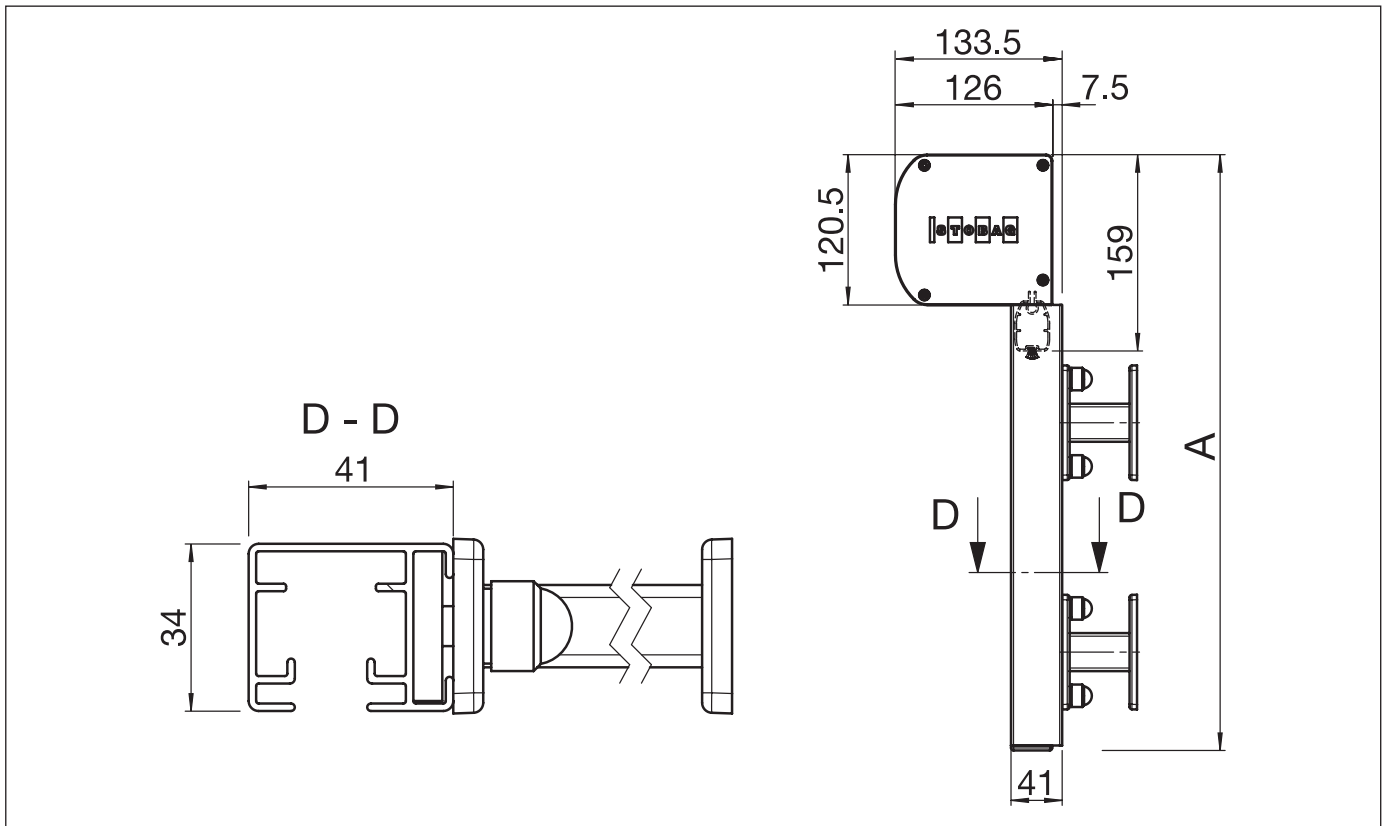


VENTOSOL-LUNERO VD5200

Vertical awning with zip system

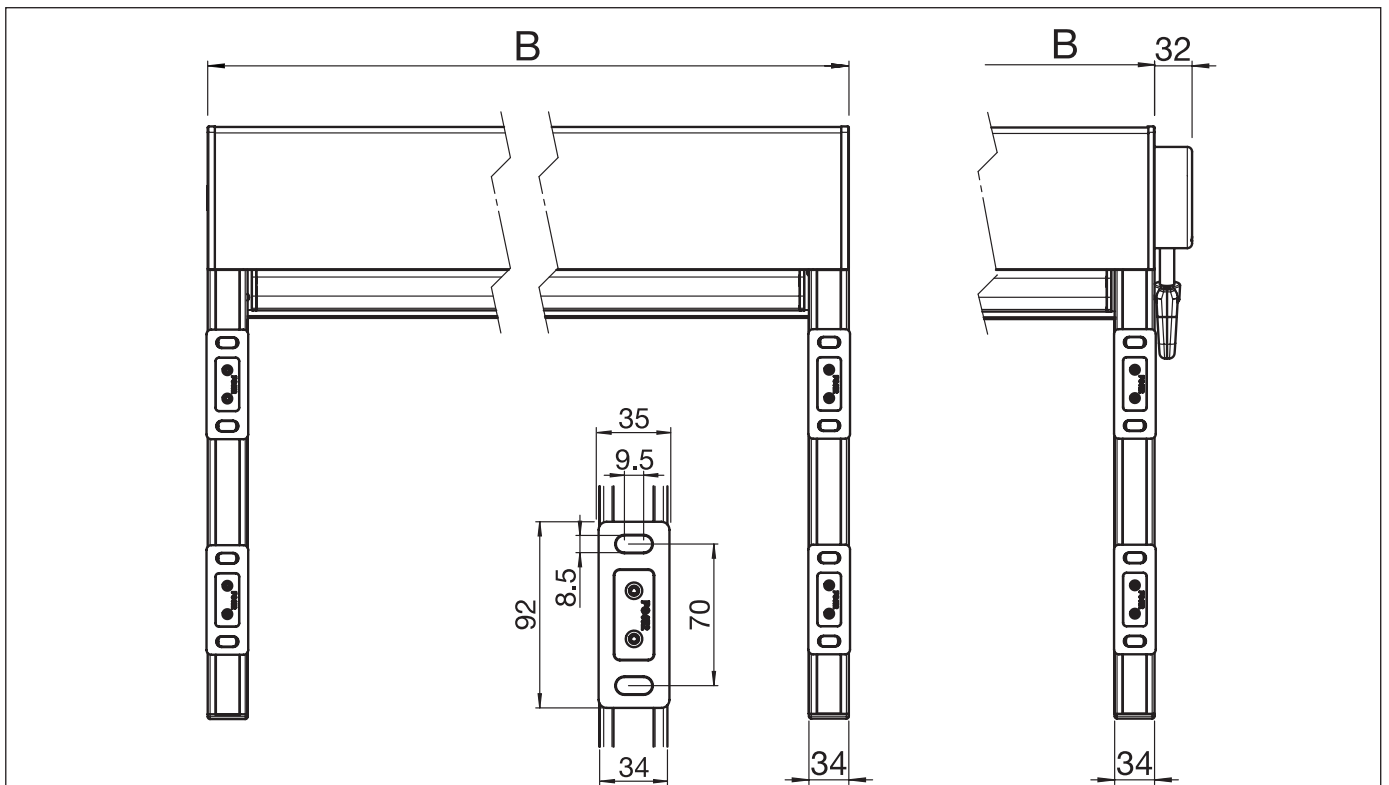
VD5200/1

Wall fixing with fixing bracket



VD5200/1

Installation drawing with fixing bracket



A = Total height

B = Total width

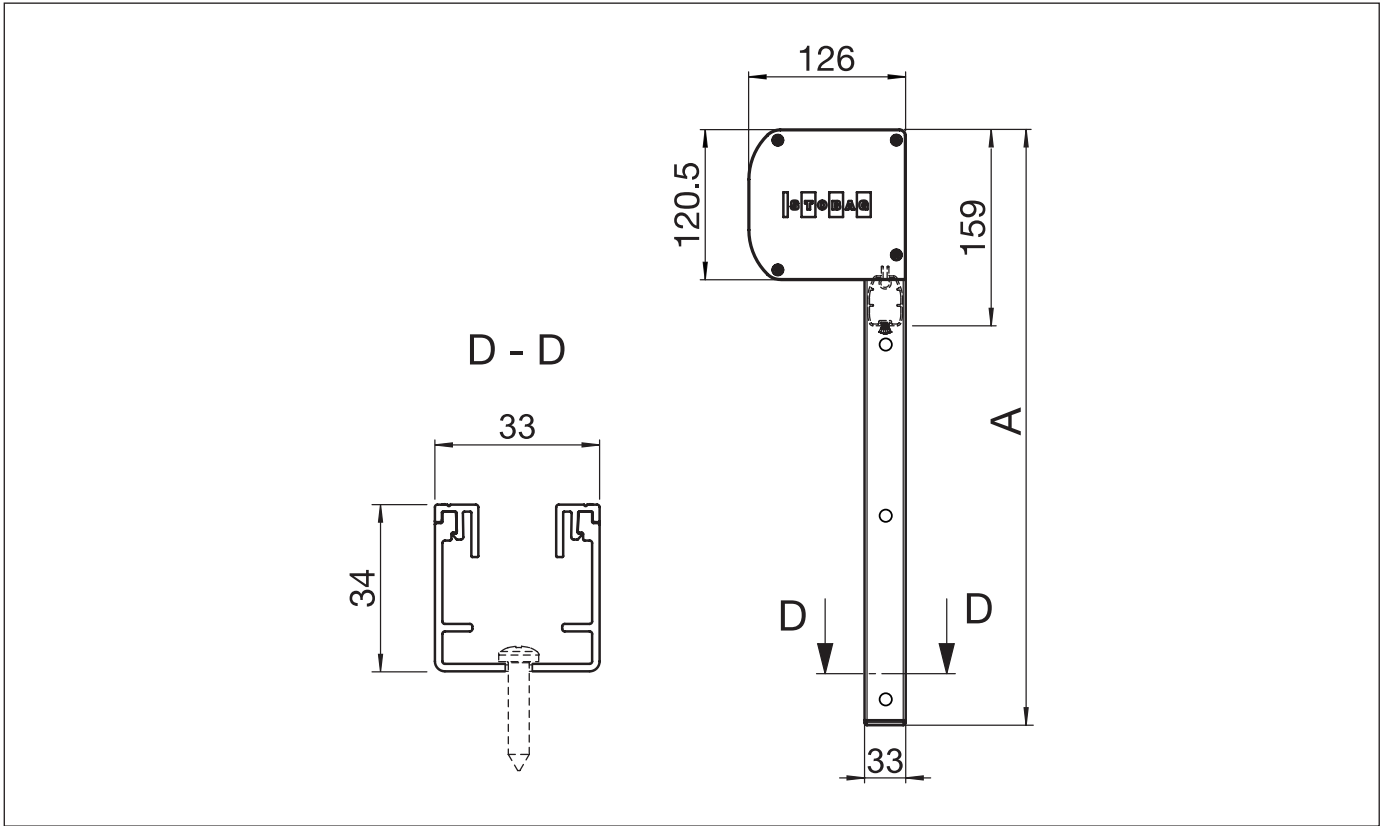


VENTOSOL-LUNERO VD5200

Vertical awning with zip system

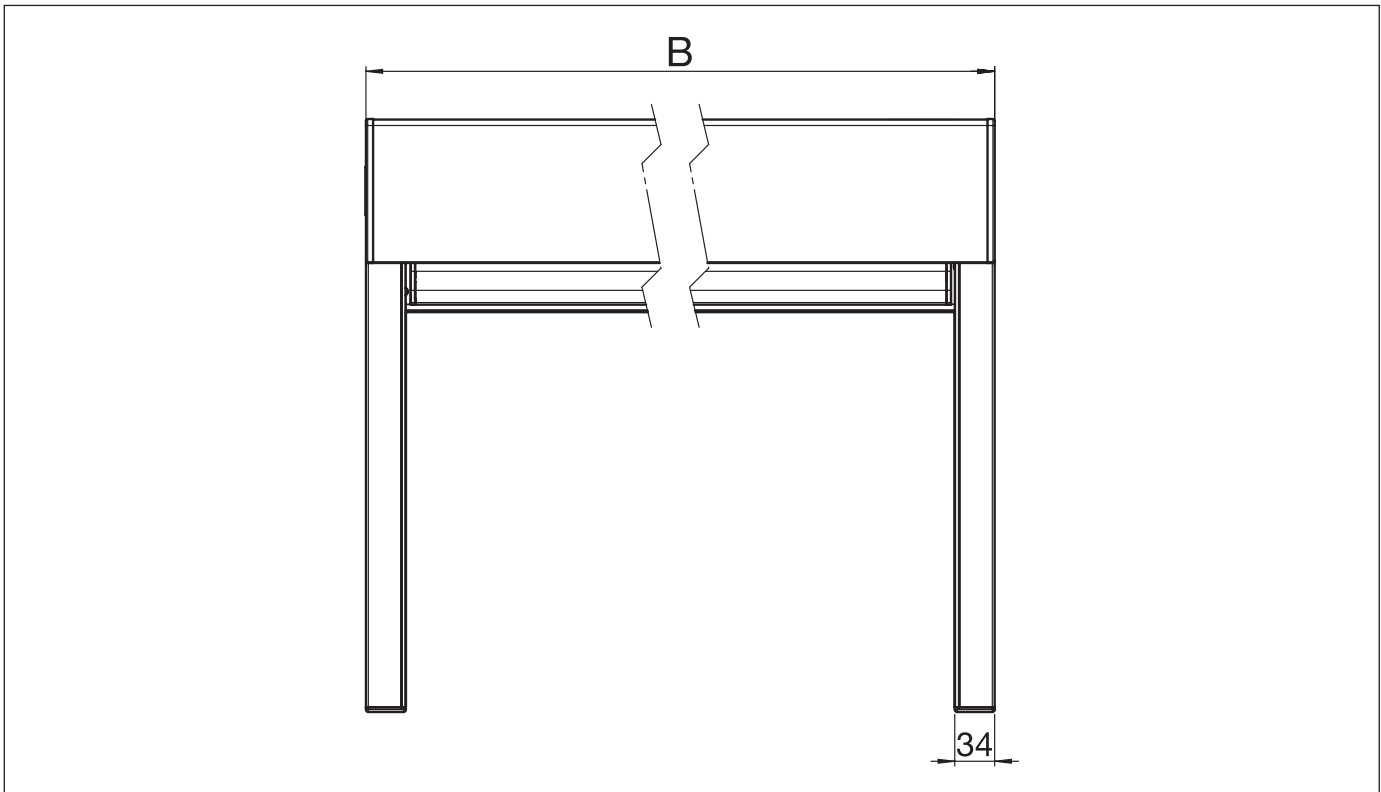
VD5200/2

Soffit fixing with motor drive



VD5200/2

Installation drawing with motor drive



A = Total height

B = Total width

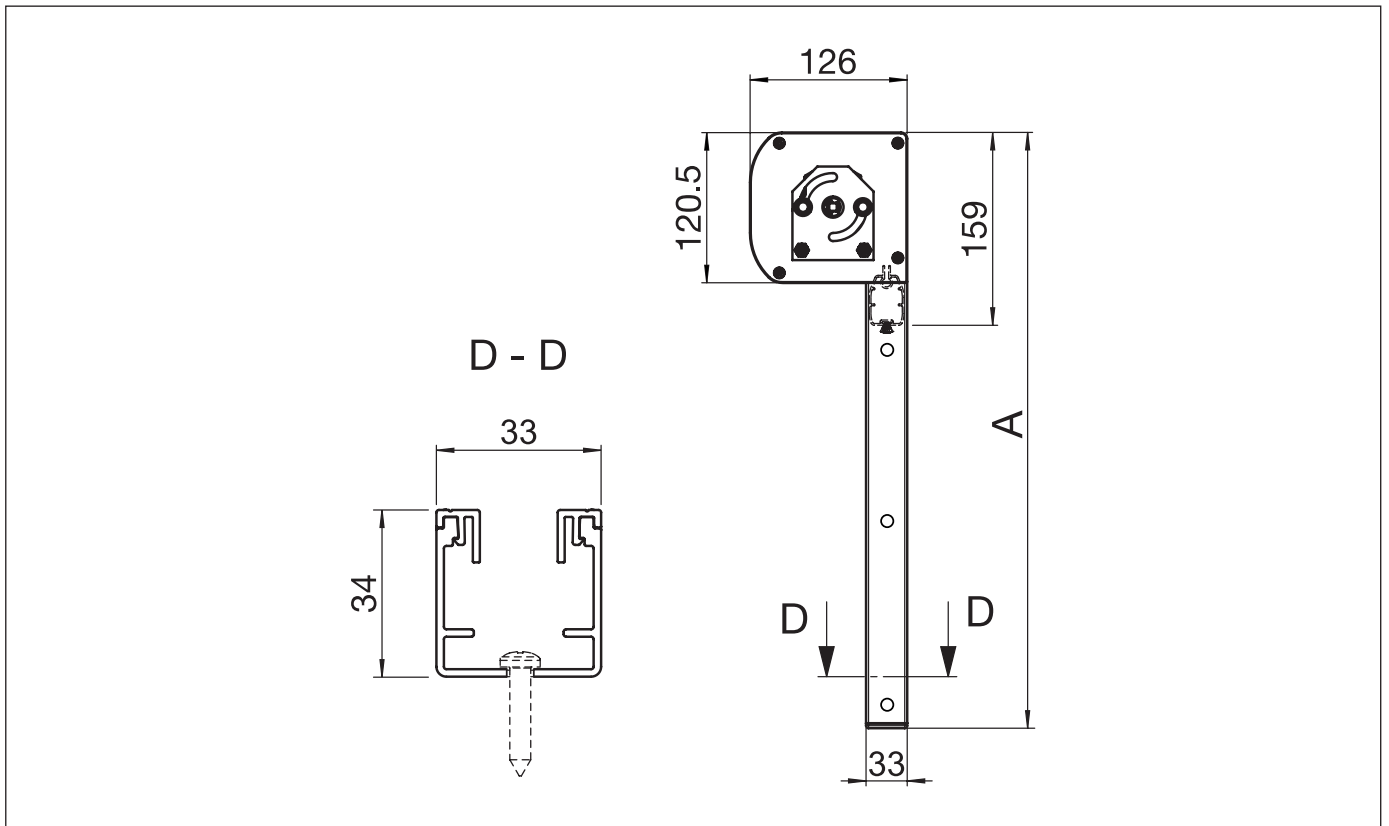


VENTOSOL-LUNERO VD5200

Vertical awning with zip system

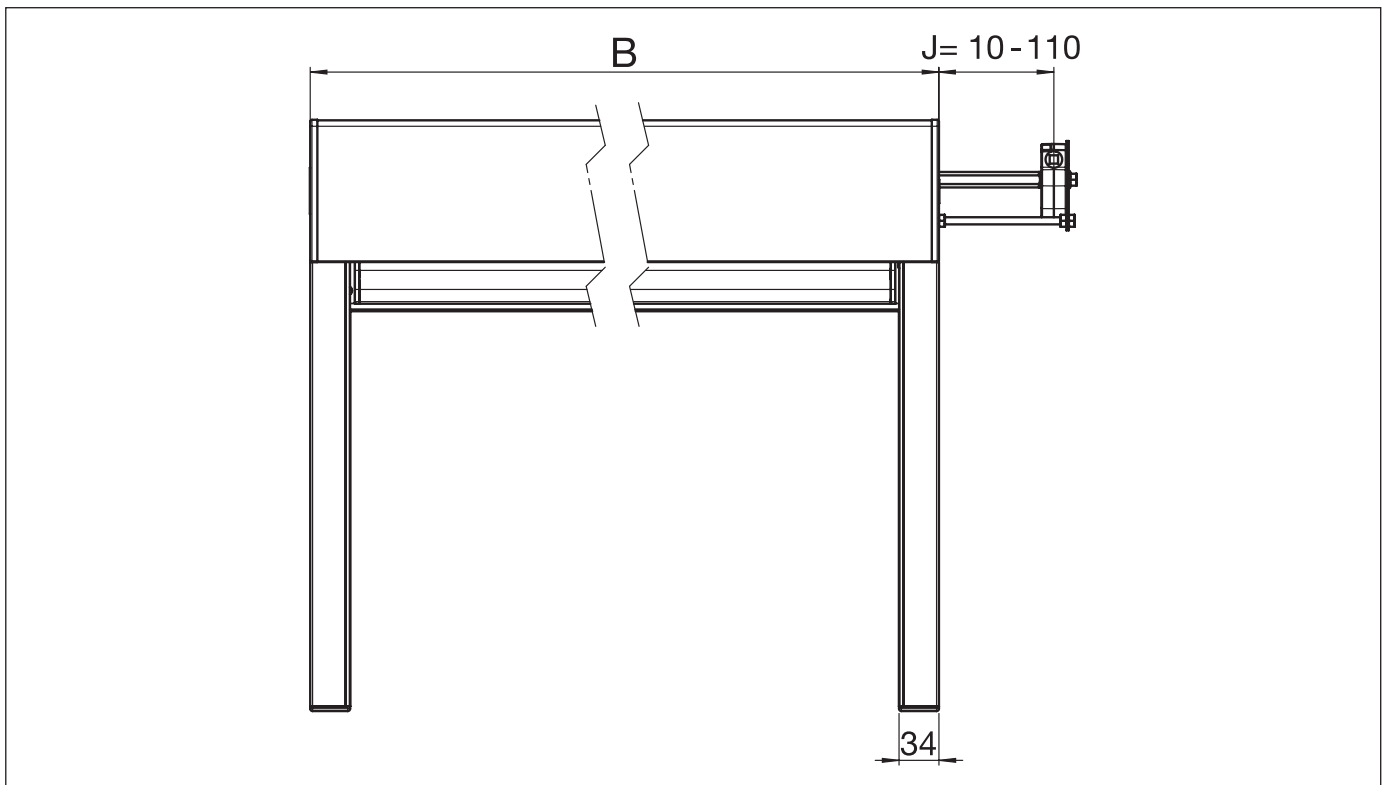
VD5200/2

Soffit fixing with gear



VD5200/2

Installation drawing with gear



A = Total height

B = Total width