



VENTOSOL-LUNERO VD5400

Vertical/horizontal awning with zip system and electrically driven

VD5400



	min. 82 cm max. 300 cm		min. 82 cm *max. 400 cm
--	---------------------------	--	----------------------------



Description

Extruded box profile 120.5 mm high and 126 mm wide, slightly rounded. The side caps are made of aluminium cast alloy. Roller tube 78 mm or 85 mm galvanized steel profile. Driven by a 230V/50Hz AC tubular motor with friction brake and electronic end position switch-off. Opposed bearing made of aluminium cast alloy matching the side cap.

The side-assembled guide rails (aluminium extruded profiles 95 x 34 mm) with integrated gas spring system for tensioning cover have a groove for accepting clips or fixing brackets for wall installation and are fitted with the plastic SIR-System™ (Soft Integrated Retaining System). Soffit installation via boreholes in the guide rail profiles. The L-shaped aluminium extruded front rail (60.5 x 80 mm) is screwed to the appropriate end cap. All aluminium profiles and aluminium cast parts are powder-coated. The plastic band brush is the bottom of the awning. Lightproof awning cover (Soltis B92-N) from the STOBAG-Collection.

METHOD OF DELIVERY

The elegant, slightly rounded box of the VENTOSOL awning is self-supporting. Various fixing options allow the framework to be fixed on the wall, soffit or horizontally on the ceiling.



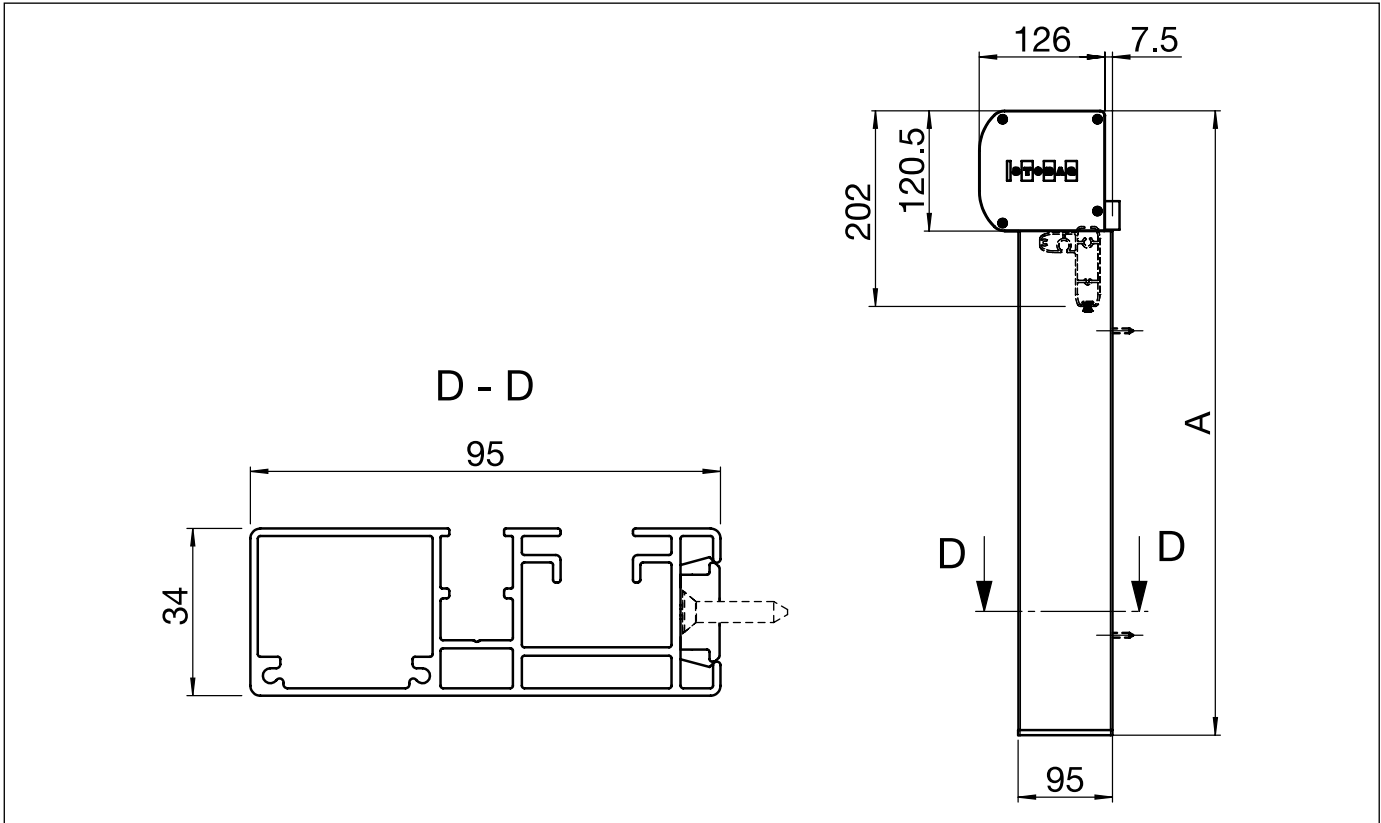


VENTOSOL-LUNERO VD5400

Vertical/horizontal awning with zip system and electrically driven

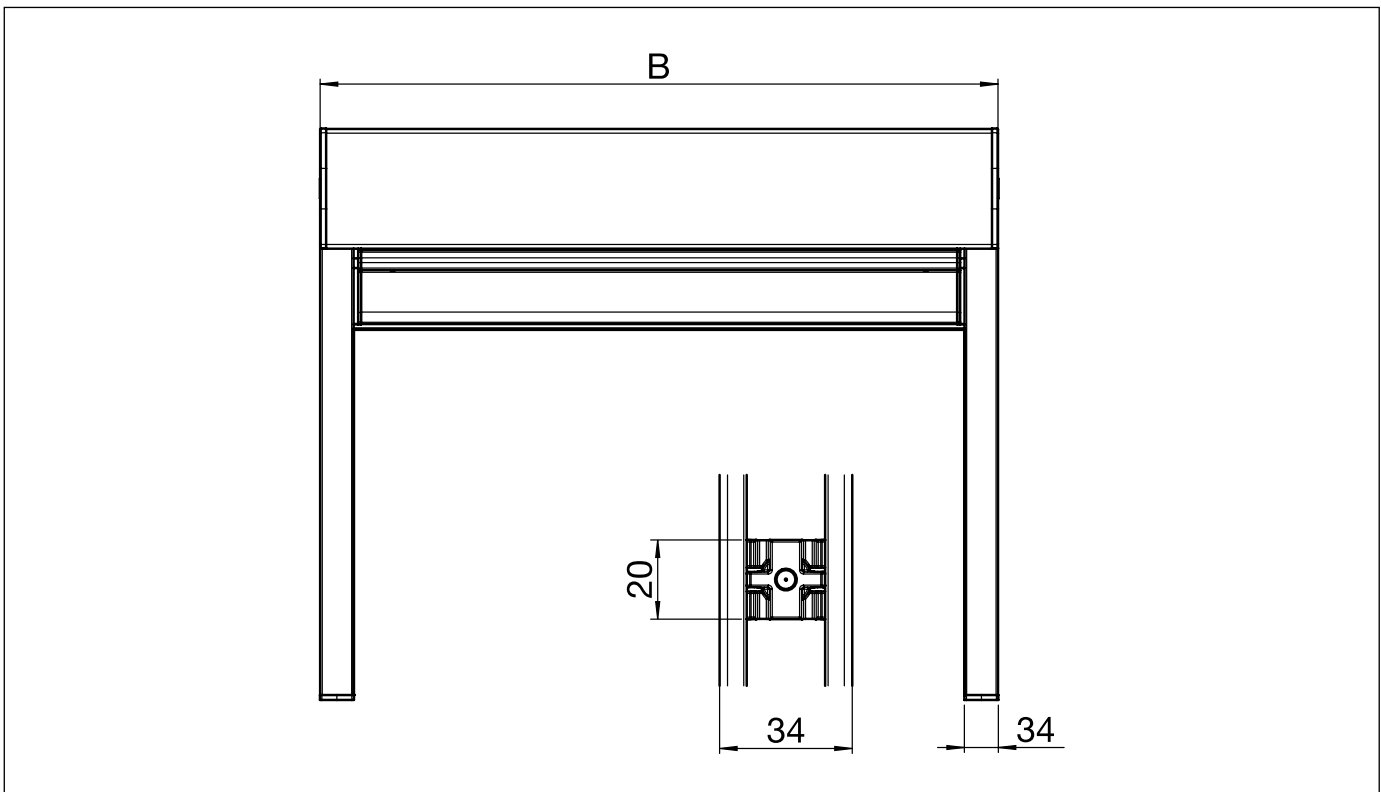
VD5400

Wall fixing with clips



VD5400

Fixing schedule with clips system



A = Total height

B = Total width

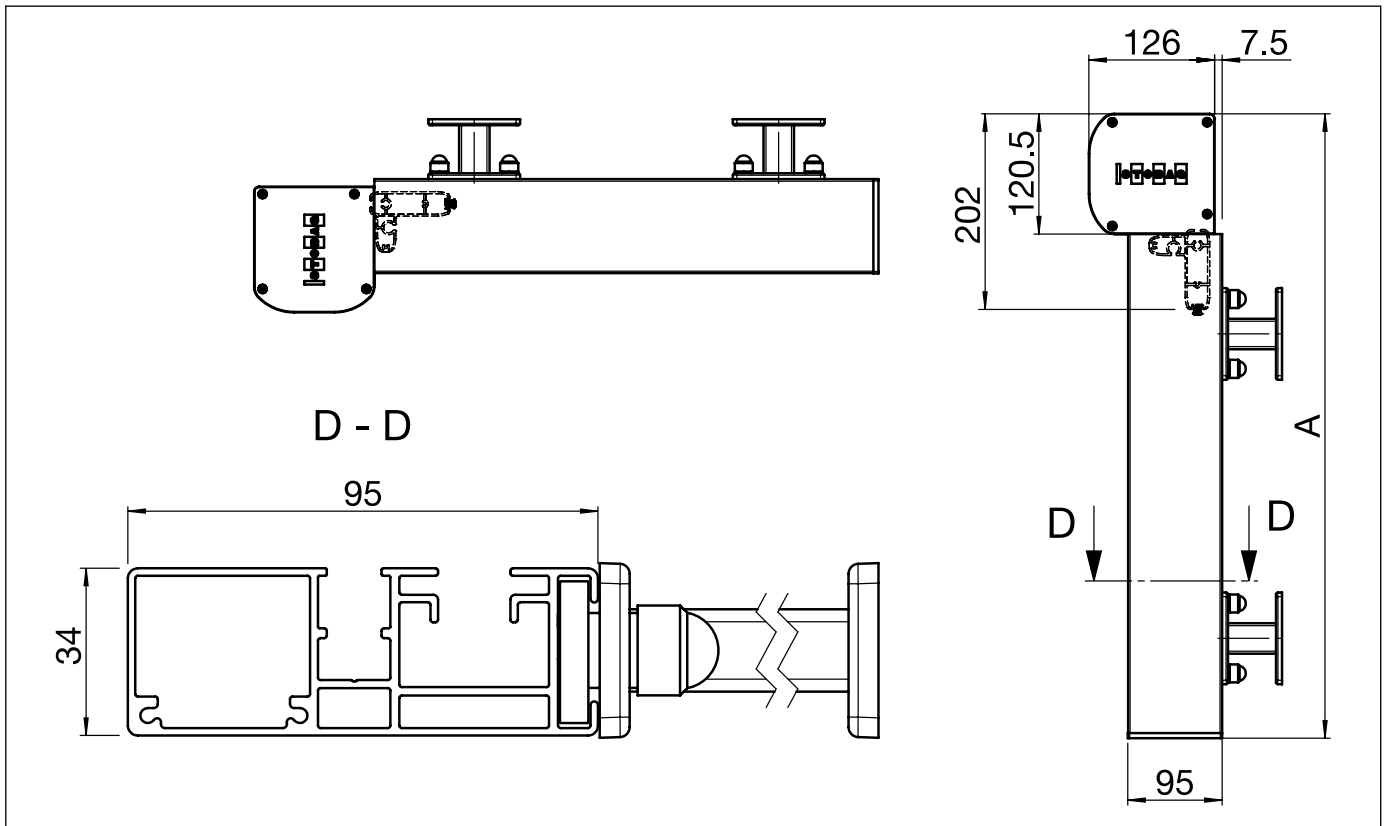


VENTOSOL-LUNERO VD5400

Vertical/horizontal awning with zip system and electrically driven

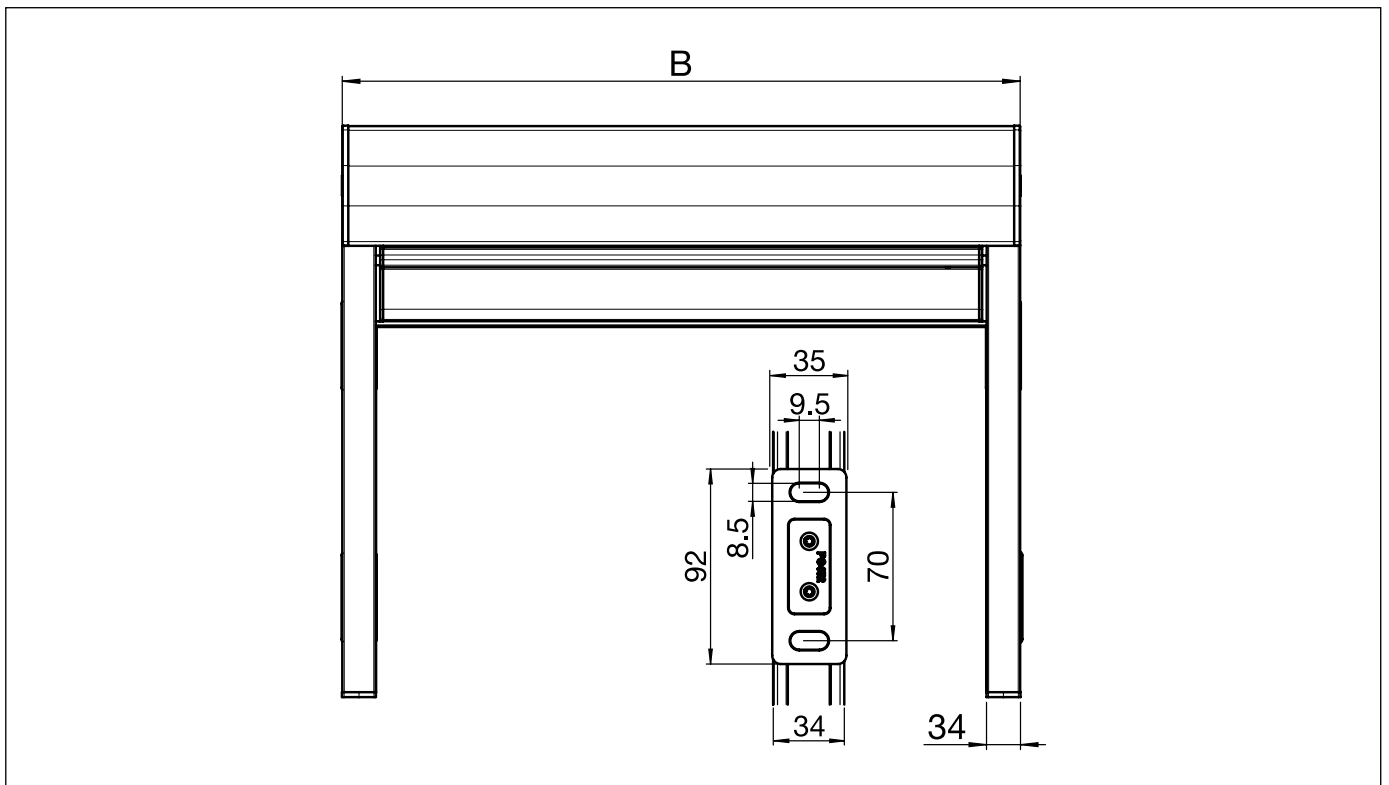
VD5400

Wall fixing with bracket



VD5400

Wall fixing with bracket



A = Total height

B = Total width

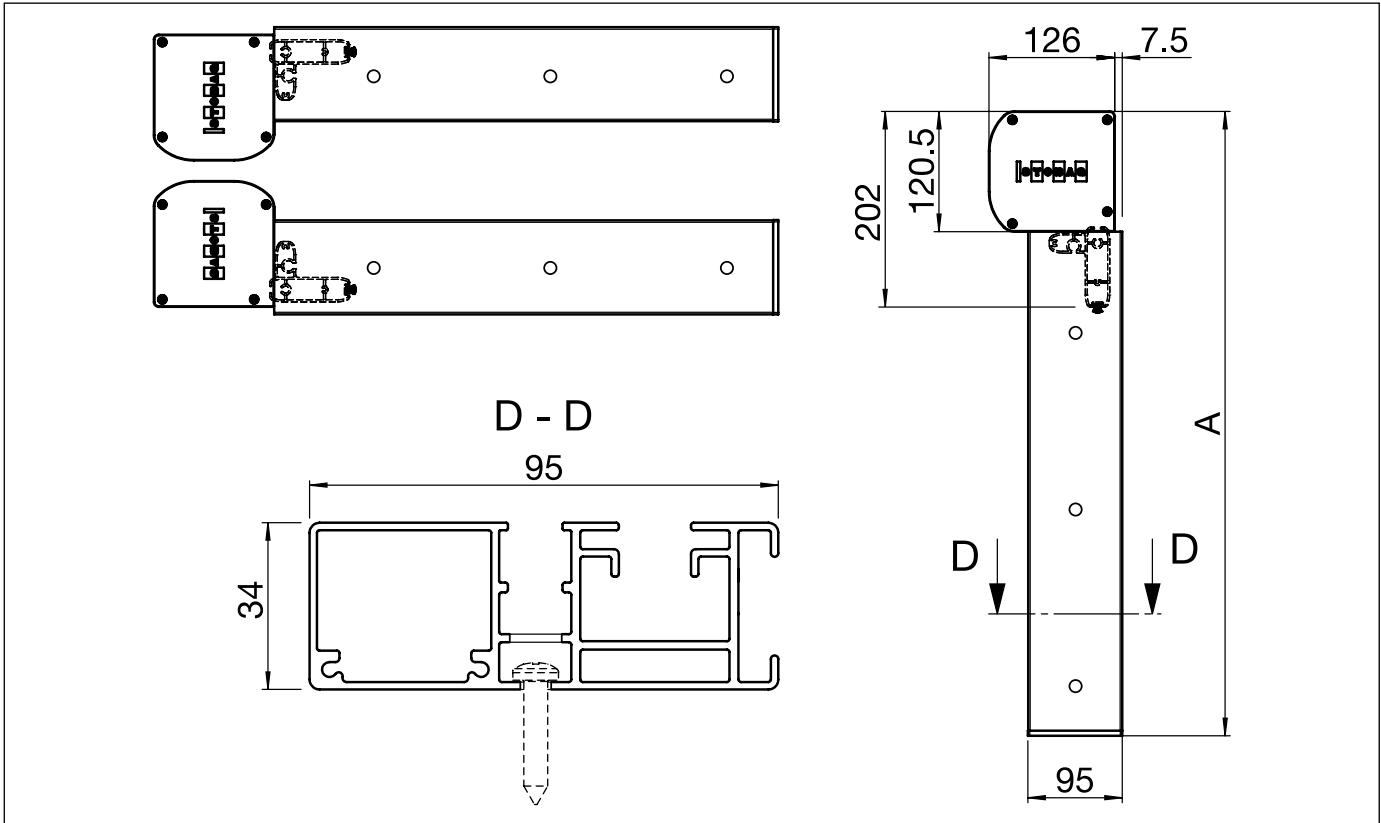


VENTOSOL-LUNERO VD5400

Vertical/horizontal awning with zip system and electrically driven

VD5400

Soffit fixing



A = Total height

B = Total width



VENTOSOL-LUNERO VD5400

Vertical/horizontal awning with zip system and electrically driven

VD5400

Soffit fixing with drive

