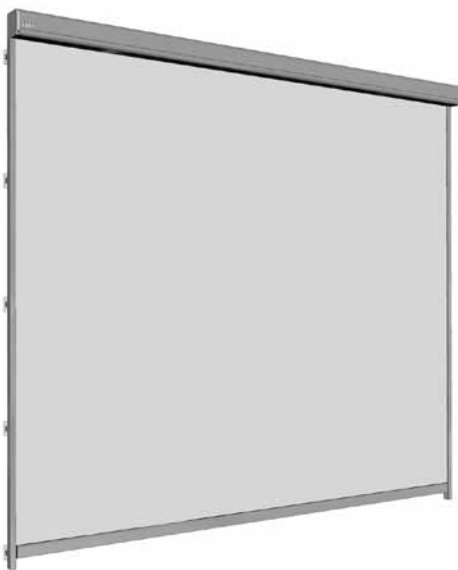
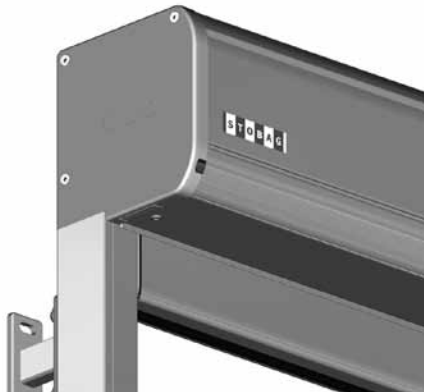


VENTOSOL-LUNERO VD5600

Vertical awning with zip system

VD5600



	min. 85 cm *max. 600 cm		min. 85 cm *max. 700 cm
---	----------------------------	---	----------------------------



- * 1.) max. fabric surface = 21 m²
max. height 700 cm x width 300 cm
- * 2.) max. fabric surface = 24 m²
max. height 600 cm x width 400 cm or
height 400 cm x width 600 cm
- * 3.) max. fabric surface = 25 m²
max. height 500 cm x width 500 cm

Description

Extruded, two-part aluminium box profile 165 mm high and 165 mm wide, slightly rounded and with a belt brush to dampen emerging noise. The side frames consist of aluminium cast alloy, the complete locking system as well as 3 cable outputs (including plastic covers). The cover shaft, with a 100 mm diameter, is made from galvanised steel. Driven by a 230V/50Hz or 120V/60Hz AC (country-specific) tubular motor with friction brake and electronic stop position switch off. Counter and drive bearing made from an aluminium cast alloy – appropriate to the side frame. The hot-dipped flat steel gives the extruded aluminium drop profile with the dimensions 45 x 81 mm additional weight and is stabilised with a rubber fixing attached on both sides. The plastic belt brush forms the end of the awning. All aluminium profiles and visible aluminium cast components are powder-coated. The black-out awning fabric from the STOBAG collection is made from PVC-coated polyester fabric.

VD5600/1 Wall mount

Attached to wall via direct screw connection or aluminium fixing brackets. The side, two-part guide profiles, consisting of a front profile (extruded aluminium profile 33 x 21 mm) and a main profile (extruded aluminium profile 57 x 38 mm), have a built-in groove for receiving the brackets and can feature pre-punched mounting holes, if desired. In addition they are fitted with the SIR-System (Soft Integrated Retaining System) made from plastic, which, via the integrated plastic spring clip, guarantees maximum tension of the fabric.

VD5600/2 Soffit mount

Fastening in the soffit fixing via direct screw connection. The front profile (extruded aluminium profile 33 x 21 mm) of the side, two-part guide rails is identical with the one in the wall mount. By contrast, the main profile (extruded aluminium profile 57 x 38 mm) is suitable exclusively for the soffit mount and is designed symmetrically to be used unrolling both inwardly and outwardly. The integrated SIR system (Soft Integrated Retaining System) made from plastic guarantees the maximum tension of the cloth via the attached plastic spring clip.

METHOD OF DELIVERY

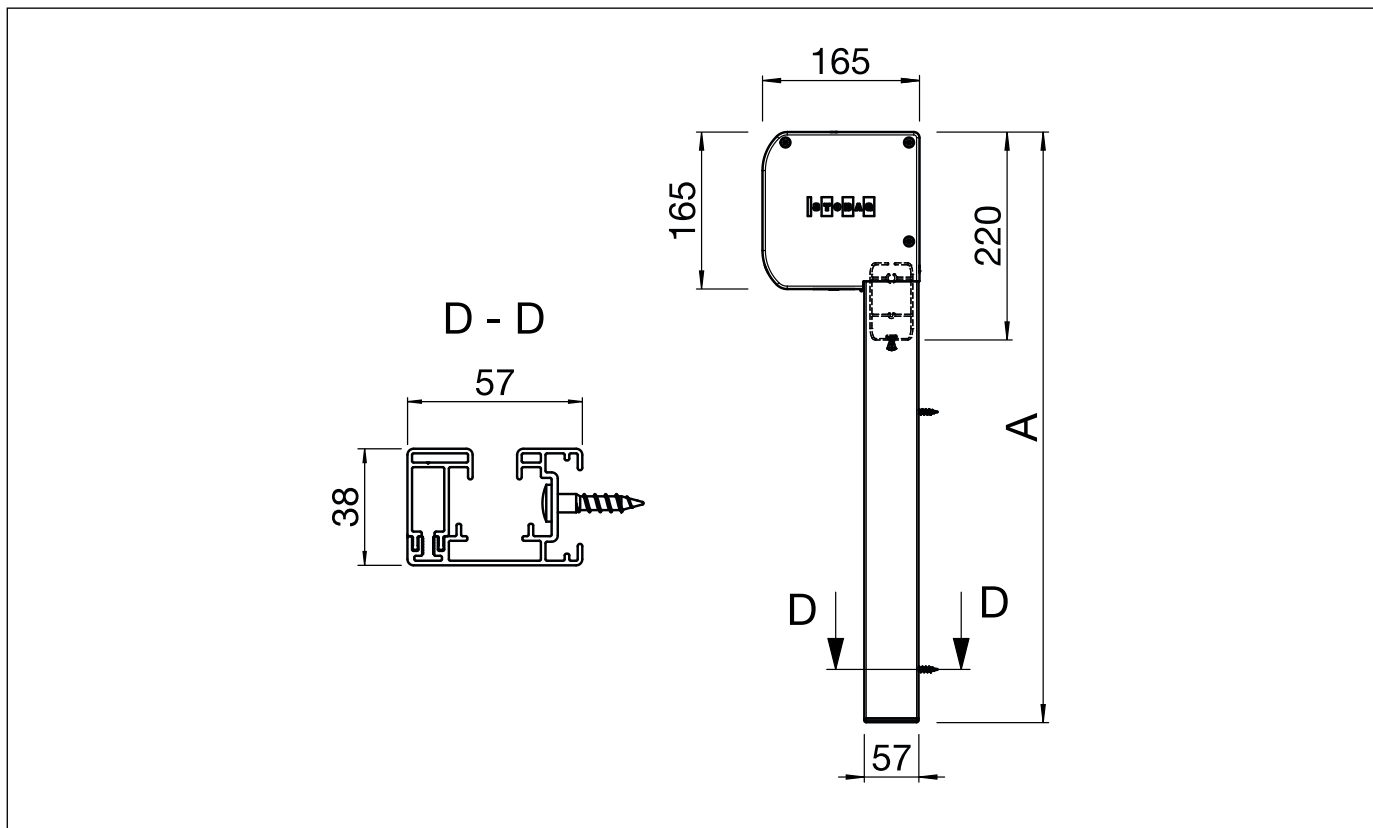
With box profile: Awning fully assembled with rolled-up fabric, and guide rails delivered separately.

VENTOSOL-LUNERO VD5600

Vertical awning with zip system

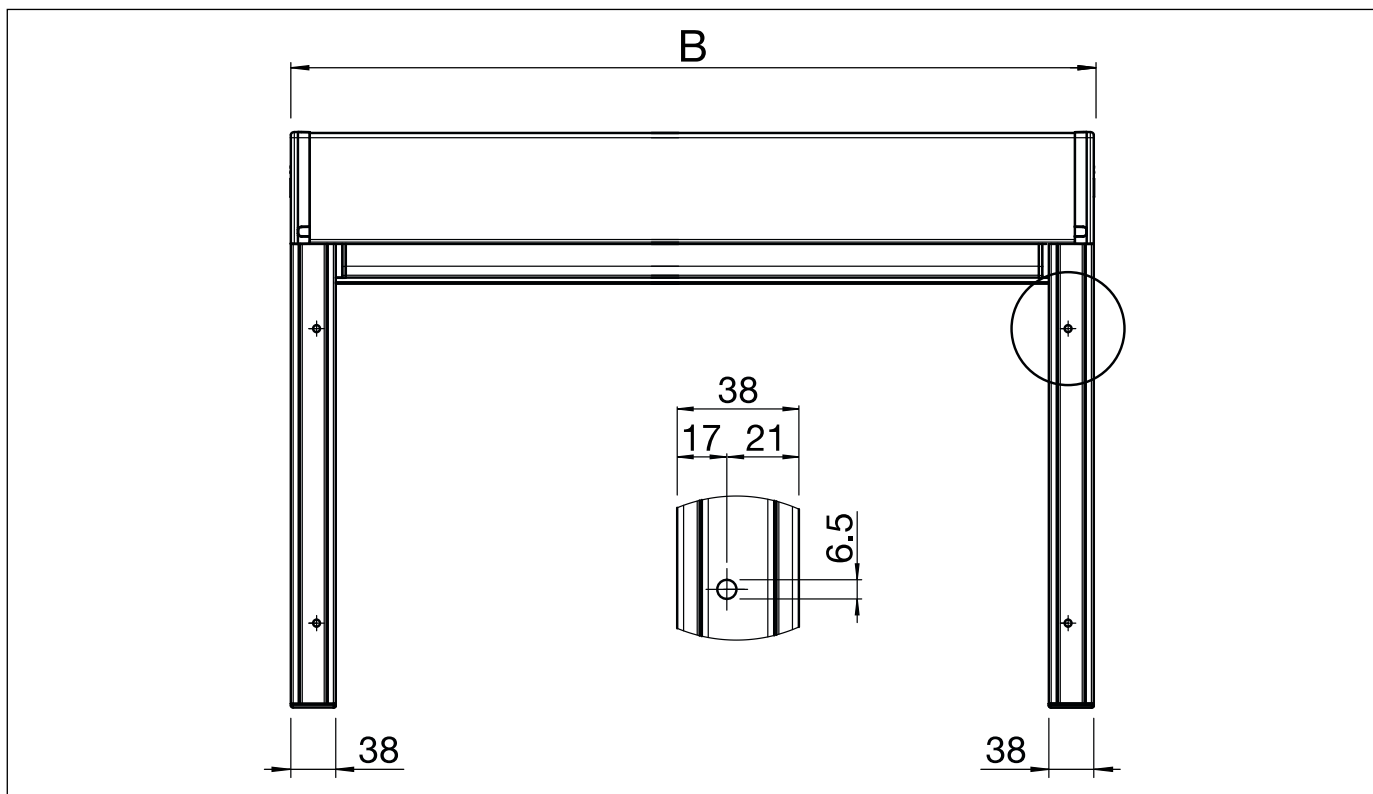
VD5600/1

Direct wall fixing



VD5600/1

Mounting plan with direct wall fixing



A = Total height

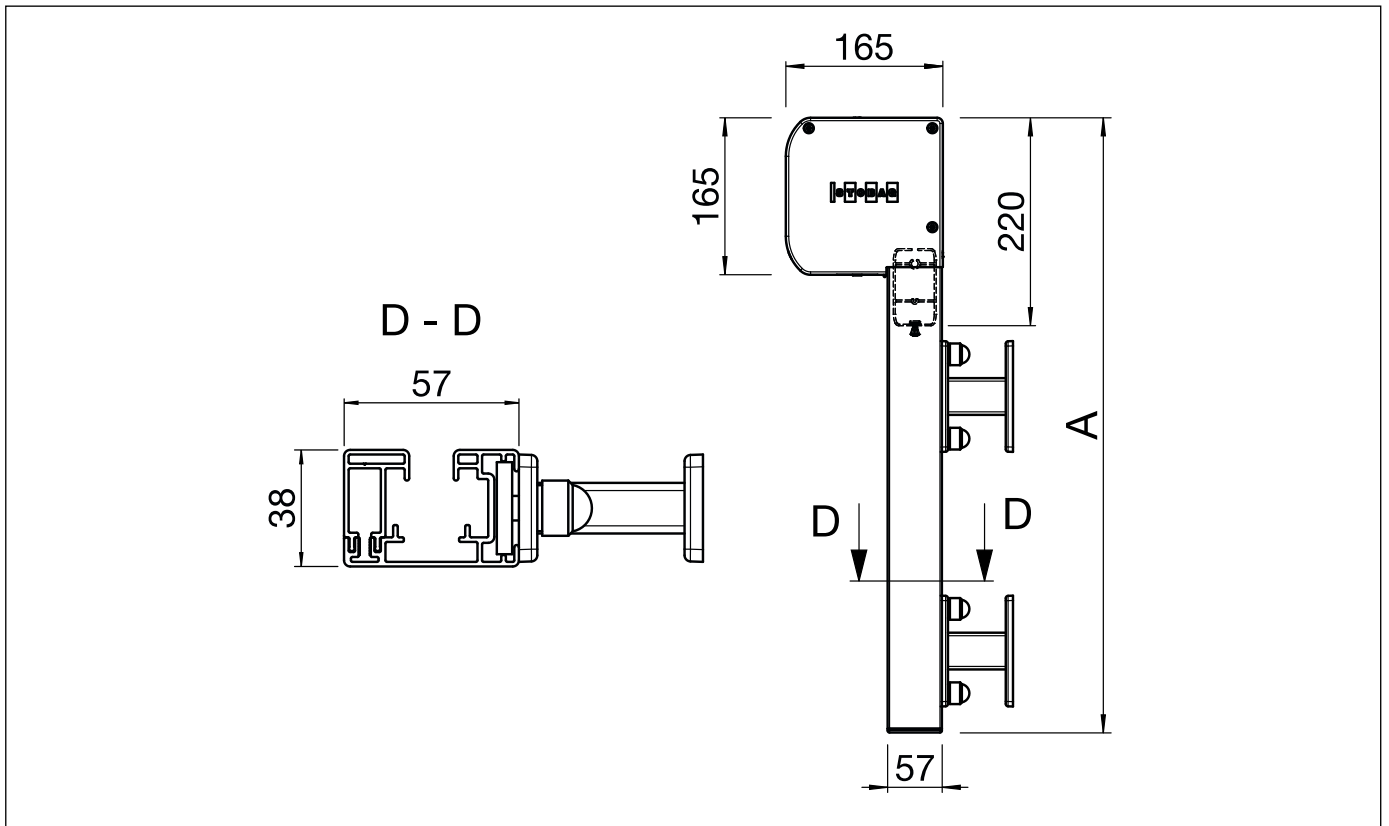
B = Total width

VENTOSOL-LUNERO VD5600

Vertical awning with zip system

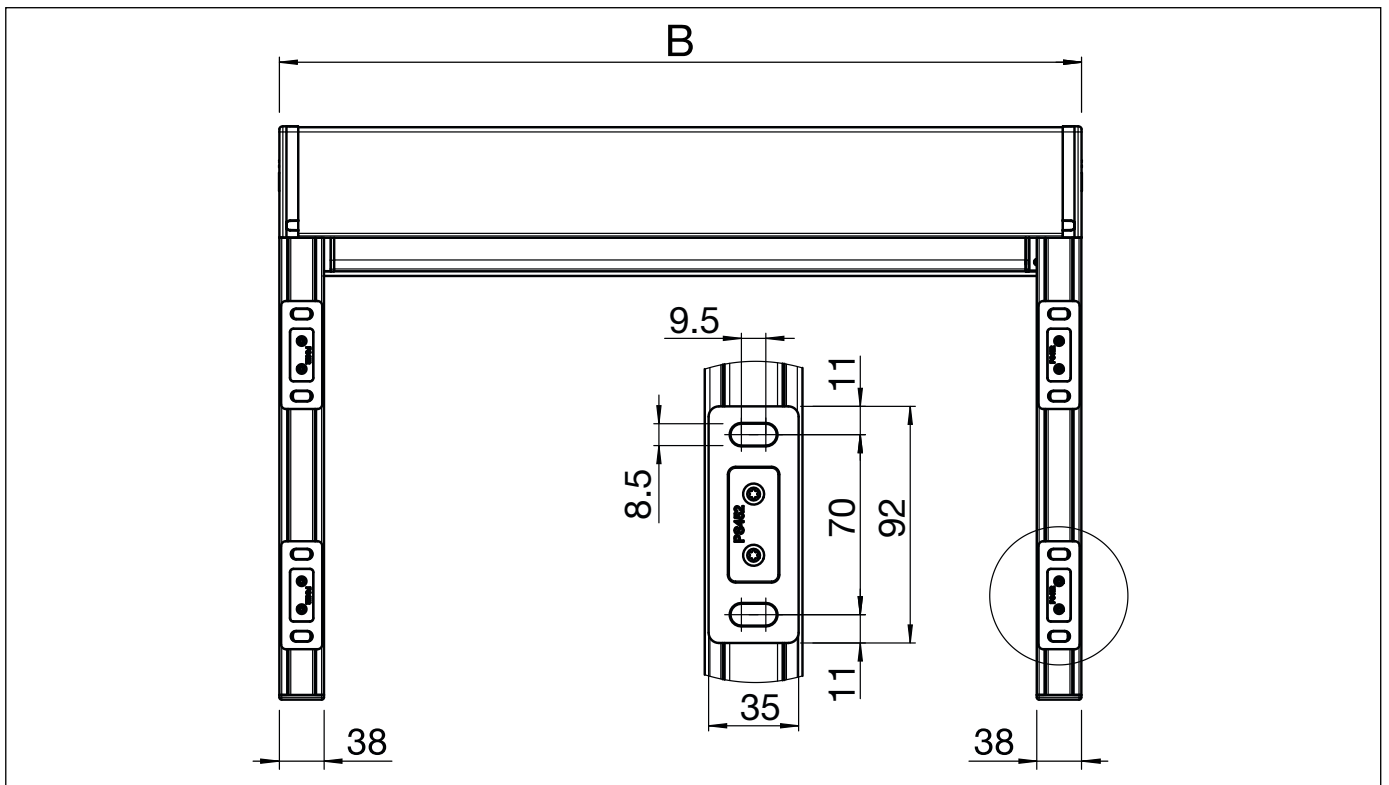
VD5600/1

Wall fixing with fixing bracket



VD5600/1

Installation drawing with fixing bracket



A = Total height

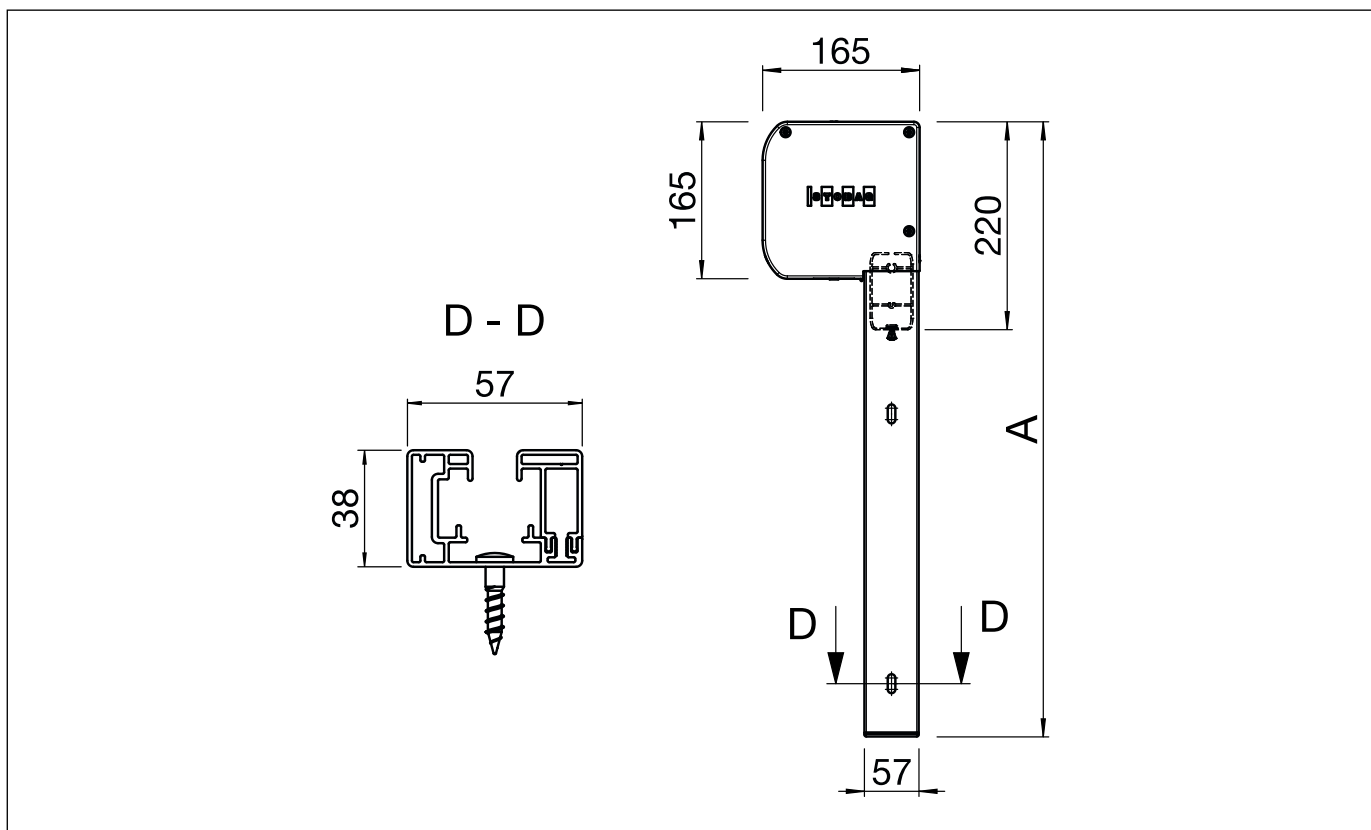
B = Total width

VENTOSOL-LUNERO VD5600

Vertical awning with zip system

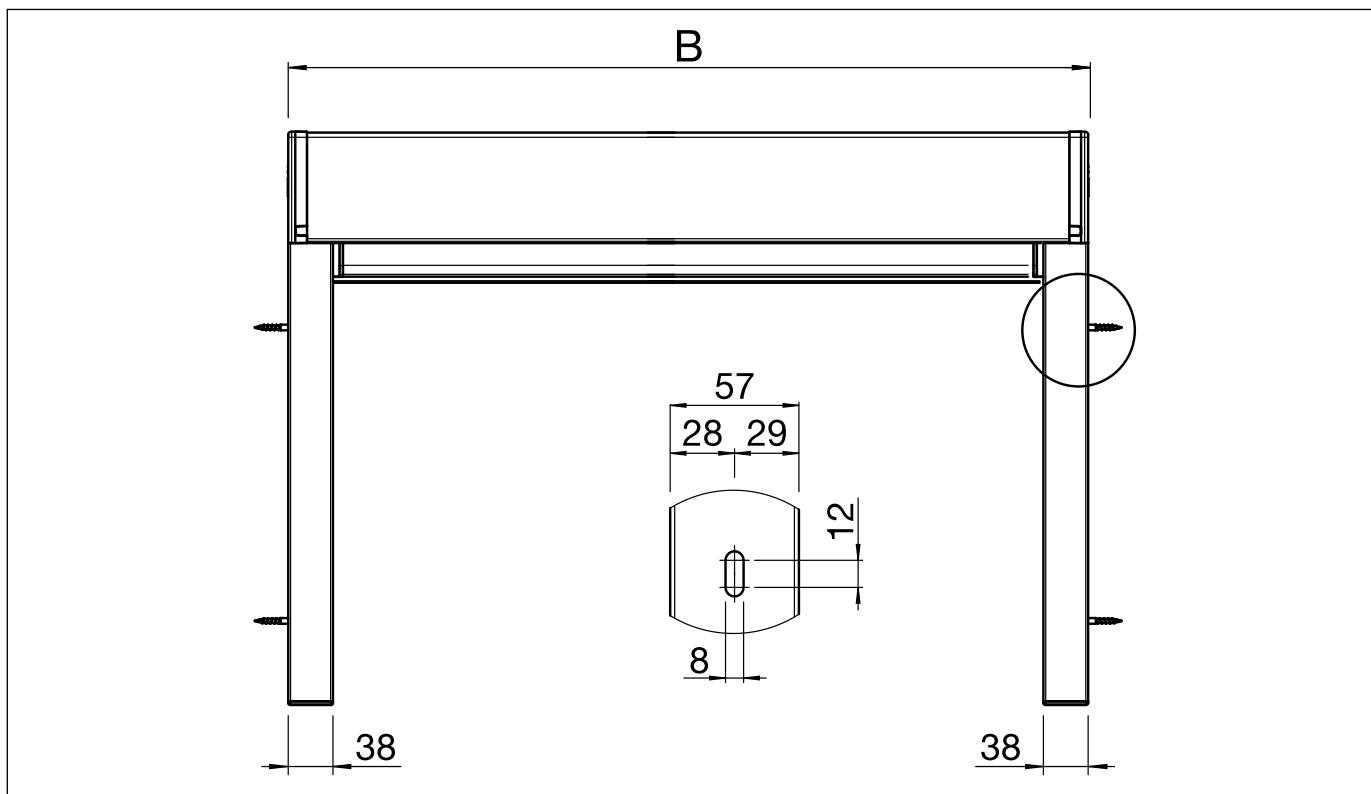
VD5600/2

Direct soffit fixing



VD5600/2

Mounting plan with direct soffit fixing



A = Total height

B = Total width